

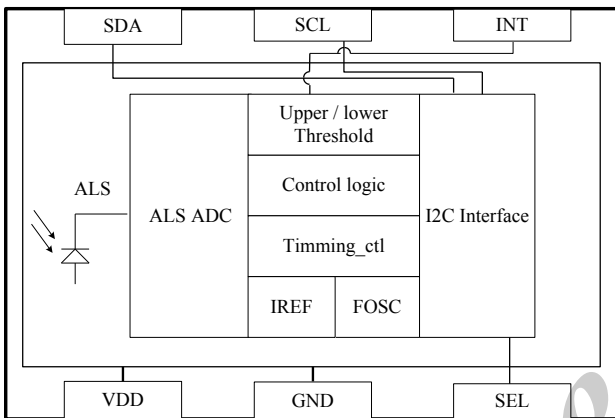
**Descriptions**

The AL3010 is a 16-bit digital ambient light sensor [ALS] in a chipLed RoHS package. This device provides a multiple gain function with linear response over a dynamic range 1216/ 4863/ 19452/ 77806 and is well suited to applications under clear glass or darkened glass.

**Features**

- I2C interface (up to 400k Hz, contact factory for 3.4M Hz option)
- 3 selectable I2C address
- Mode Select : Power Up/Down, ALS Once, Reset
- Built-in temperature compensation circuit
- Wide supply voltage from +2.3V ~ +3.6V
- Wide operating temperature range (-30°C to +80°C)
- Ambient Light Photo Sensor
  - 16-bit effective linear output (0~65535)
  - 4 user selectable dynamic range.
  - Anti-flicker rejection (reject 50/60 Hz)
  - High sensitivity @ darkened glass
- Small form factor 2.0 mm x 2.0 mm x 0.7 mm
- RoHS compliant

**Function Block Diagram**



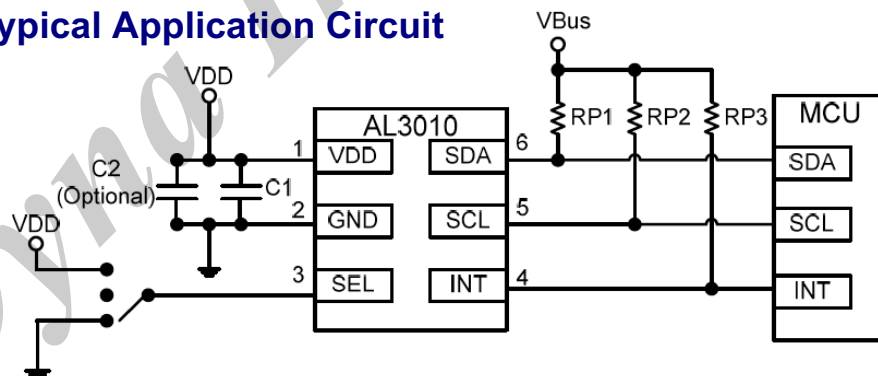
**Applications**

- Mobile handsets
- Personal Navigation Device
- Tablet PCs
- LCD/PDP TV backlight systems

**Ordering Information**

Part No.	Packing Type	Package	Quantity
AL3010	Tape and Reel	6Ld Chipled 2.0 x 2.0 x 0.7mm	2,500

**Typical Application Circuit**



Please be aware that an **Important Notice** concerning availability, disclaimers, and use in critical applications of DI products is at the end of this document.