

Descriptions

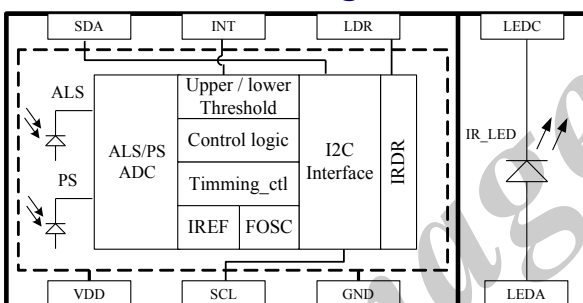
AP3426 is a module integrated with a digital ambient light sensor [ALS], a proximity sensor [PS], and an IR LED in a single package.

This device provides a multiple gain ALS function with linear response over various dynamic ranges 512 / 2048 / 8192 / 32768 Lux and is well suited for applications under clear or darkened glass.

The proximity function is specifically targeted towards near field application and detects external object with simple configurable zone, controlled by registers. With multiple proximity gain control, multiple IR LED current control and 10-bit ADC output, this device is designed specially to fix low reflection objects, such as black hair.

The device supports an interrupt feature to improve system efficiency and several features that help to minimize the occurrence of false triggering. Through internal calibration and CMOS design, the AP3426 is designed to minimize device-to-device variations for ease of manufacturability.

Function Block Diagram



Ordering Information

Part No.	Packing Type	Package	Q'ty
AP3426		8Ld Chipld 3.94x2.36x1.35mm	2500
AP3426-2.8		8Ld Chipld 4.94x3.36x2.80mm	
AP3426-2.8A (Slave=0x1D)		8Ld Chipld 4.94x3.36x3.50mm	
AP3426M	Tape and Reel (MSL3)	8Ld Chipld 4.35x2.50x2.95mm	1500
AP3426-3.5		8Ld Chipld 4.94x3.36x3.90mm	
AP3426-3.9		8Ld Chipld 4.94x3.36x3.90mm	
AP3426H		8Ld Chipld 4.35x2.50x3.65mm	

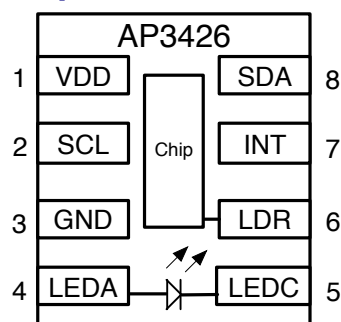
Features

- I²C interface (Fast Speed mode at 400k Hz)
- Mode Select: Ambient Light Sensor (ALS), ALS+Proximity Sensor (PS)+IR, Power Down (PD), ALS once, Soft Reset.
- Built-in temperature compensation circuit
- Wide operating temperature range (-30°C to +80°C)
- Ambient Light Photo Sensor
 - 16-bit effective linear output (0~65535)
 - 4 user selectable dynamic range
 - Anti-flicker rejection (reject 50/60Hz)
 - High sensitivity at darkened glass
 - Window loss compensation
- Proximity Detector
 - 10 bit effective linear output (0~1023)
 - 4 programmable IR LED current output
 - High ambient light suppression
 - Cross talk compensation
 - Paired with 940nm IR LED to avoid red light blinding
- Heartbeat Sensor (Optional)
- RoHS compliant

Applications

- Smart phone, Tablet PC, Wearable
- Personal Navigation Device
- Notebook/Ultrabook
- LCD/PDP TV backlight systems
- Digital Photo Frame
- Applications with Capacitive Touch Panel
- Heartbeat Sensor (Optional)

Pin Description



Please be aware that an **Important Notice** concerning availability, disclaimers, and use in critical applications of DI products is at the end of this document.