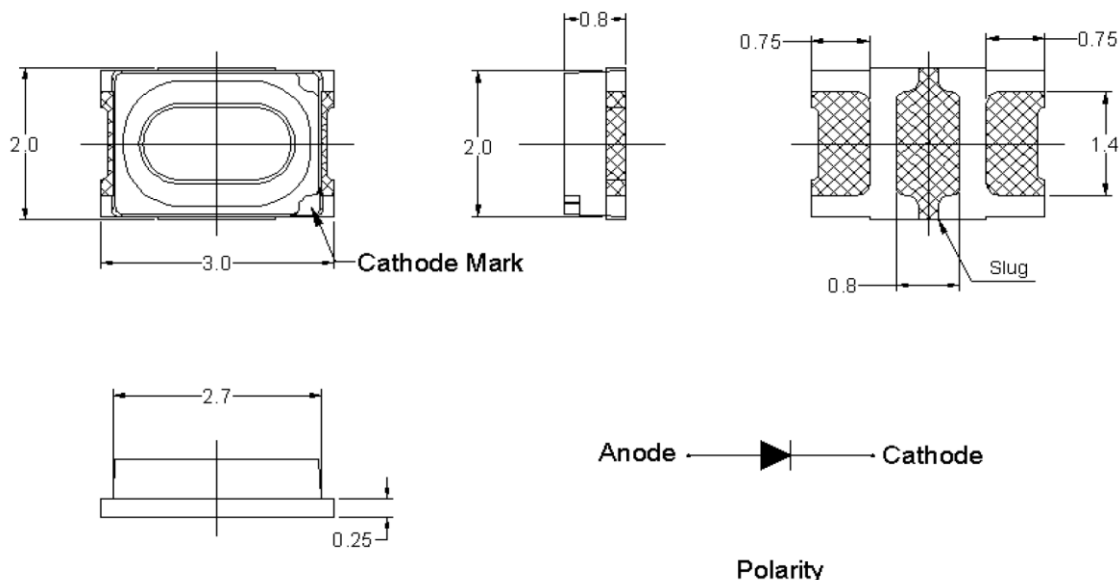


Features

- Peak emission wavelength at 940nm
- Wide viewing angel of 120 degree
- Higher optical efficiency
- Dimension: 3.0mm(L) x 2.0mm(W) x 0.8mm(H)

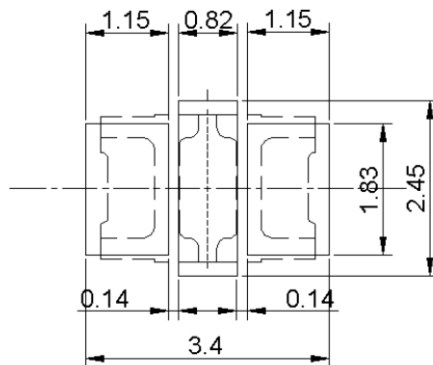
Package Dimensions



Notes:

1. All dimensions are in millimeters.
2. Tolerance is $\pm 0.20\text{mm}$ (0.004") unless otherwise noted.
3. Strongly recommended to apply electrically isolated heat conducting film between the slug and contact surfaces.
4. Specifications are subject to change without notice.

Suggest Soldering Pad Dimensions



Note: The tolerances unless mentioned is $\pm 0.1\text{mm}$

Please be aware that an **Important Notice** concerning availability, disclaimers, and use in critical applications of DI products is at the end of this document.